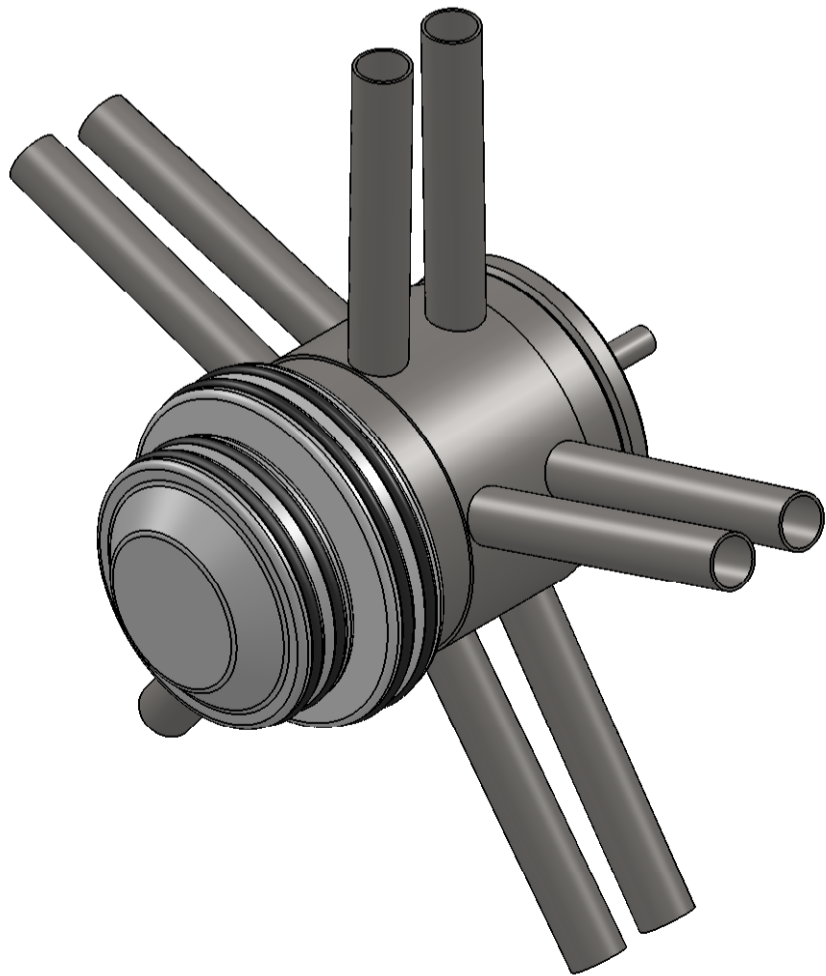
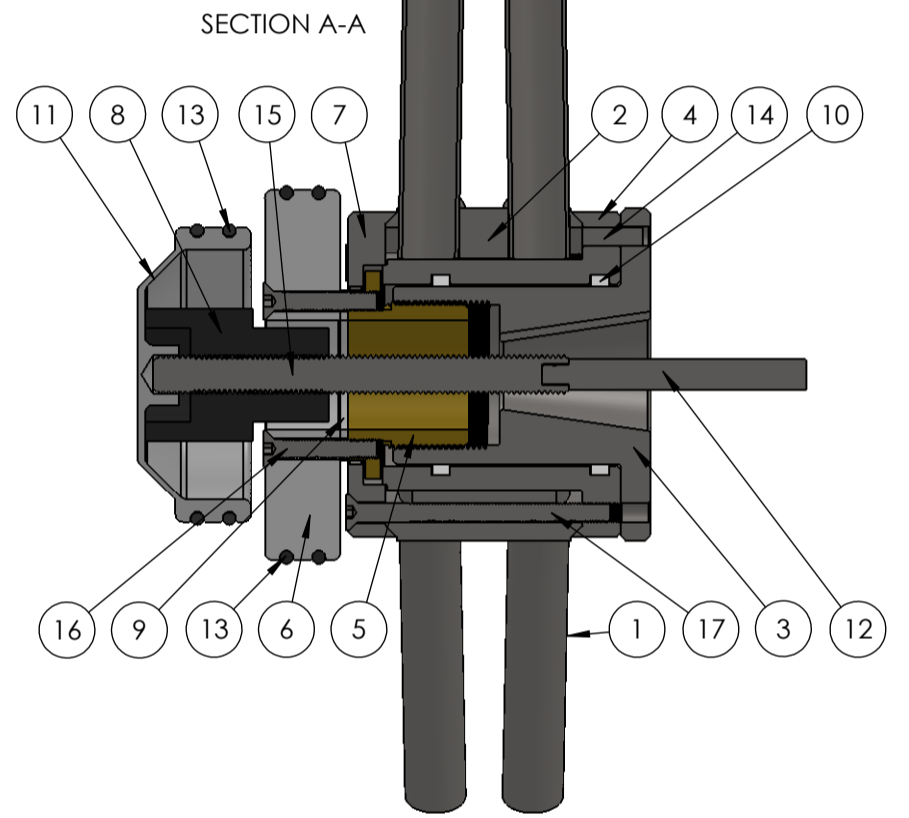
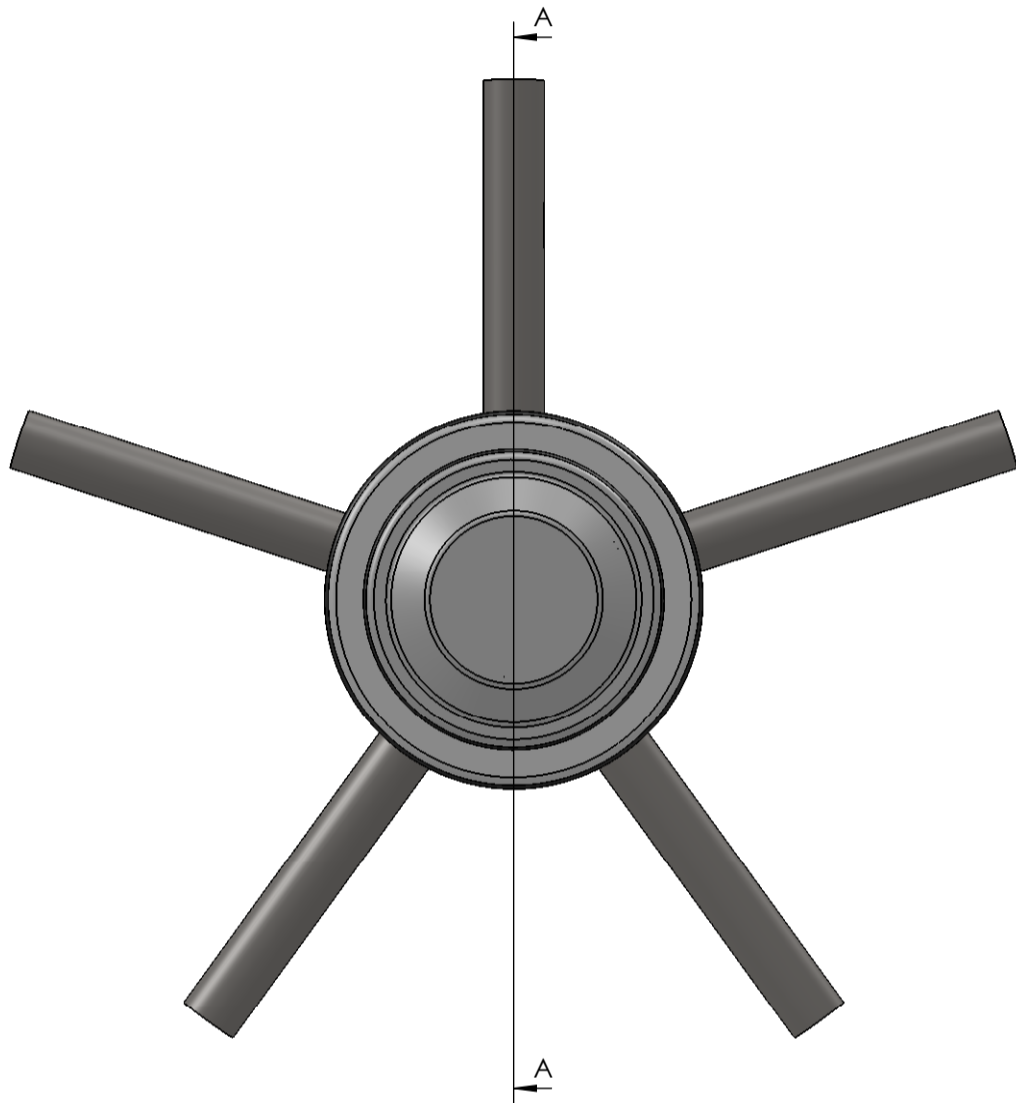
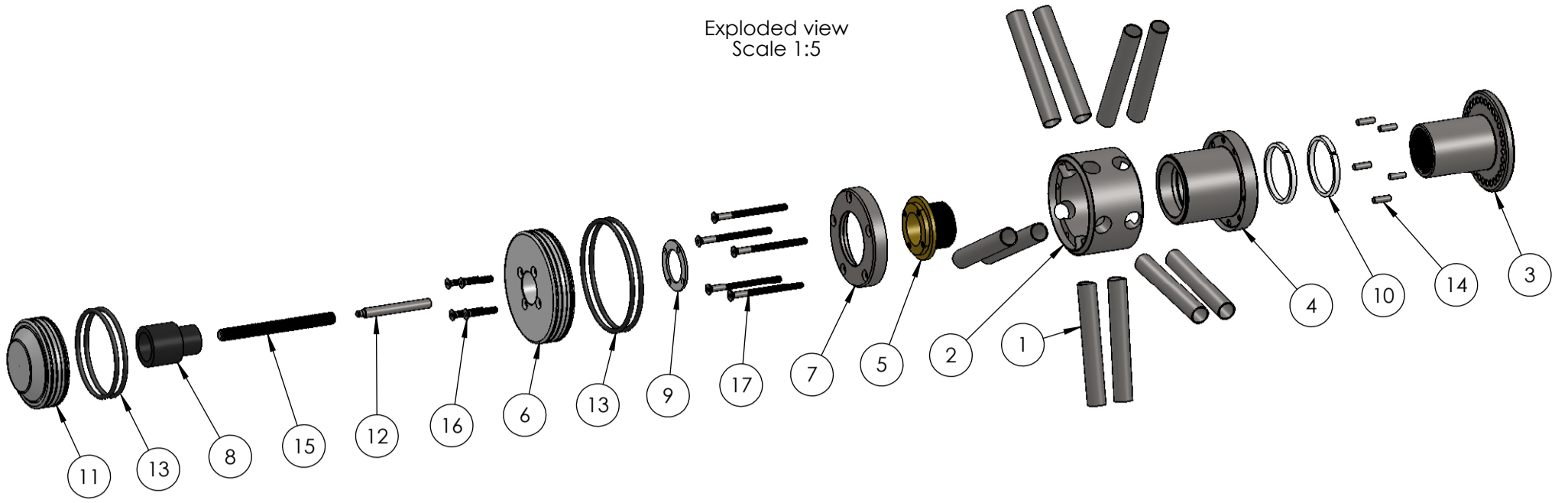


Exploded view  
Scale 1:5



ITEM NO.	PART NUMBER	PART NAME	QTY.
1	Z1-154	Spoke for stainless WHT1000 and WHT1100	10
2	Z1-400	Hub for stainless steel spokes	1
3	Z1-405	Base for big cone (ø30mm shaft)	1
4	Z1-407	Basingring (5pcs M5 holes)	1
5	Z1-408	Bronze	1
6	Z1-409	Spinner ø98x20	1
7	Z1-410	Ring ø86x13 (5pcs ø5.5mm holes)	1
8	Z1-411	Delrinbearing for brakespinner	1
9	Z1-412	Washer between Bronze and Aluminum	1
10	Z1-413	Delring bearing ø47mm	2
11	Z4-375	Spinner brake hub	1
12	Z4-384	Shaft spinner 8mm	1
13	ZP3-102	O-ring 58,74x3,35	4
14	Z-DIN0007-05x16	Cylindrisk A2 stift 05x16mm	5
15	Z-DIN0976-M10	Studbolt M10x110	1
16	Z-DIN7991-M05x30	Socket countersunk UH A2 M5x30	4
17	Z-DIN7991-M05x70	Socket countersunk UH A2 M5x70	5

DWG NR / NAME:

**DISENG-30 / Disengagement wheel**

PROJECT:

Disengagement stainless steel wheel, big cone (ø30mm shaft)

DATE:

18-03-2009

NAME:

KJ

SCALE / PAPER:

1:2 / A3

MATERIAL:

g

LOCATION:

REV:

BATCH NR:

REKV.NR / ORDRE NR:

ORDRE DATO:

LEV.DATO:



JEFA STEERING ApS  
AGENAVEJ 43  
2670 GREVE. DENMARK  
Tlf: +45 4615 5210 & Fax: +45 4369 5211  
Email: info@jefa.com www.jefa.com

: /