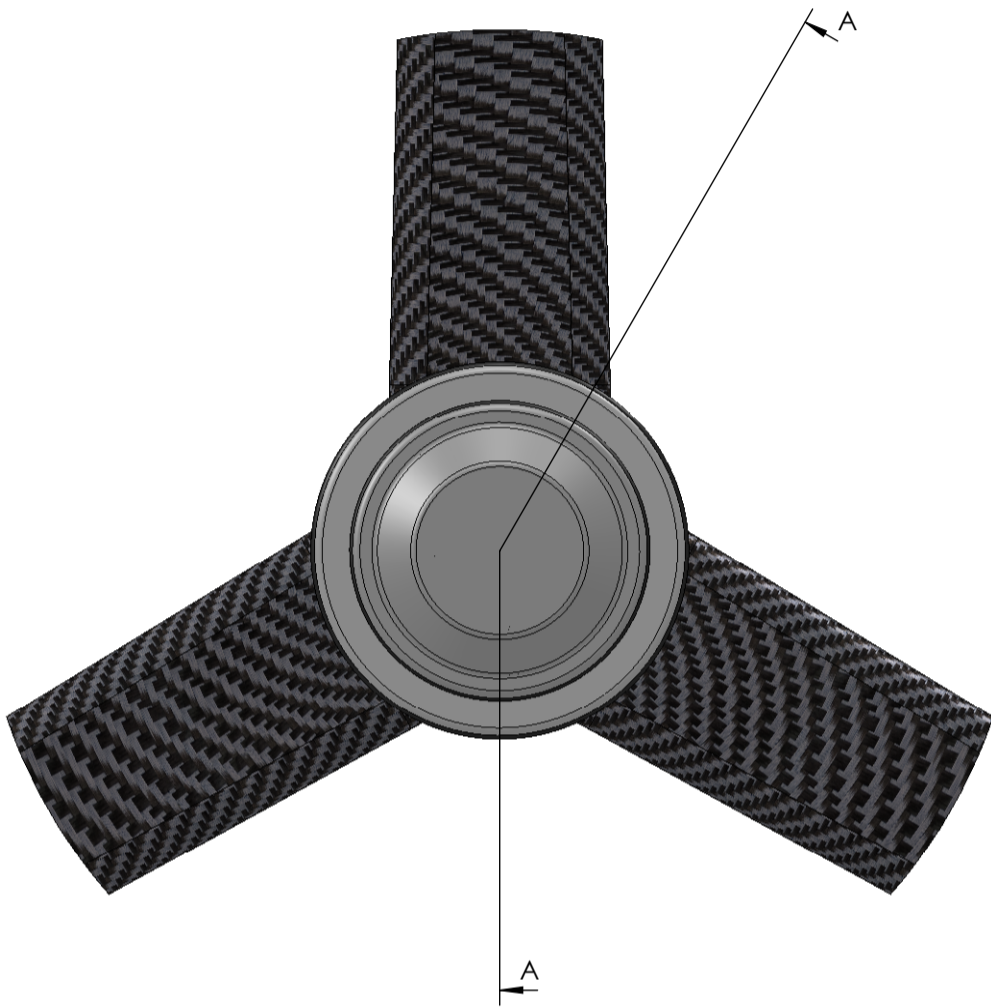
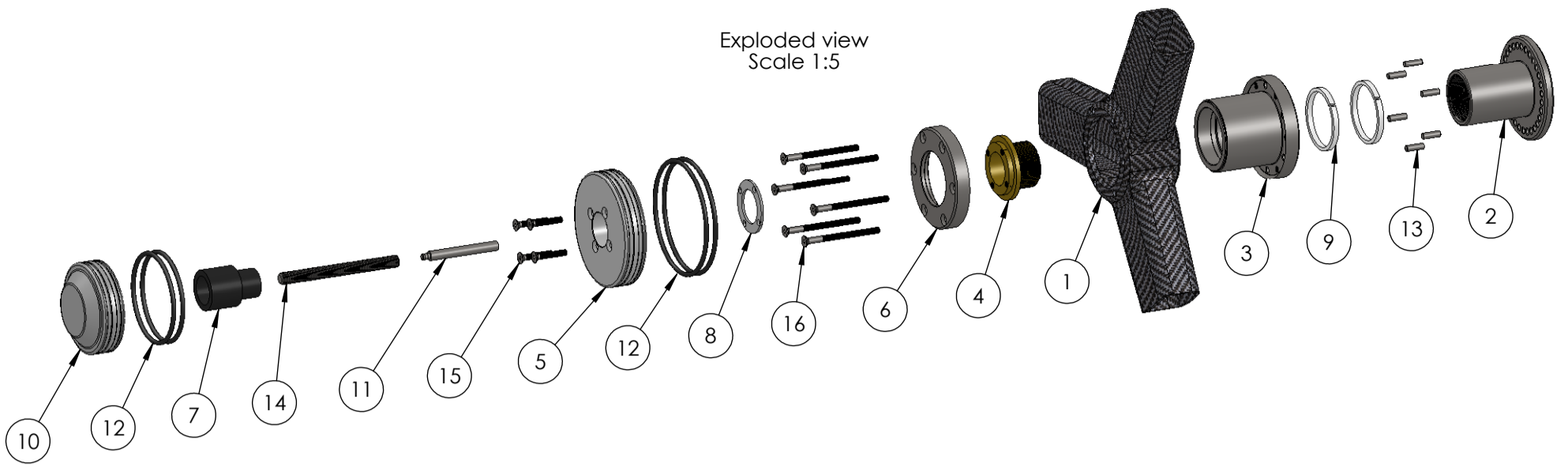
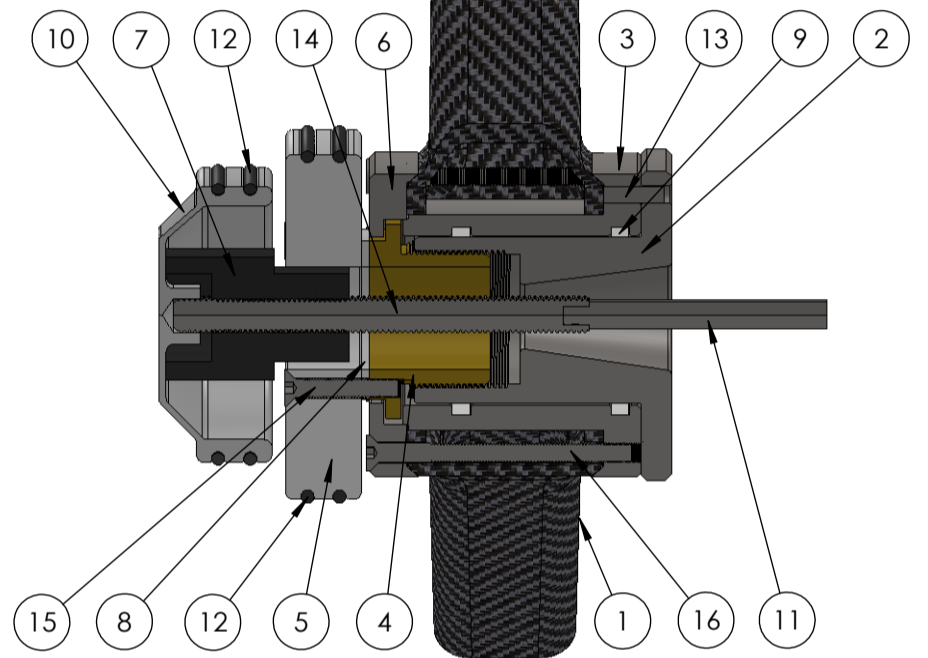


Exploded view
Scale 1:5



SECTION A-A



ITEM NO.	PART NUMBER	PART NAME	QTY.
1		Carbon wheel 900-1400mm	1
2	Z1-405	Base for big cone (ø30mm shaft)	1
3	Z1-407	Basing	1
4	Z1-408	Bronze	1
5	Z1-409	Spinner ø98x20	1
6	Z1-410	Ring ø86x13	1
7	Z1-411	Delrinbearing for brakespinner	1
8	Z1-412	Washer between Bronze and Aluminum	1
9	Z1-413	Delring bearing ø47mm	2
10	Z4-375	Spinner brake hub	1
11	Z4-384	Shaft spinner 8mm	1
12	ZP3-102	O-ring 58,74x3,35	4
13	Z-DIN0007-05x16	Cylindrisk A2 stiff 05x16mm	6
14	Z-DIN0976-M10	Studbolt M10x110	1
15	Z-DIN7991-M05x30	Socket countersunk UH A2 M5x30	4
16	Z-DIN7991-M05x70	Socket countersunk UH A2 M5x70	6

DWG NR / NAME:

DISENGC-30 / Disengagement wheel

BATCH NR:

PROJECT:

Disengagement carbon wheel, big cone (30mm shaft)

REKV.NR / ORDRE NR:

DATE:

17-03-2009

NAME:

KJ

SCALE / PAPER:

1:2 / A3

MATERIAL:

WEIGHT:

LOCATION:

g

ORDRE DATO:

LEV.DATO:

MODIFY DATE:

/

REV:



JEFA STEERING ApS
AGENAVEJ 43
2670 GREVE. DENMARK
Tlf: +45 4615 5210 & Fax: +45 4369 5211
Email: info@jefa.com www.jefa.com