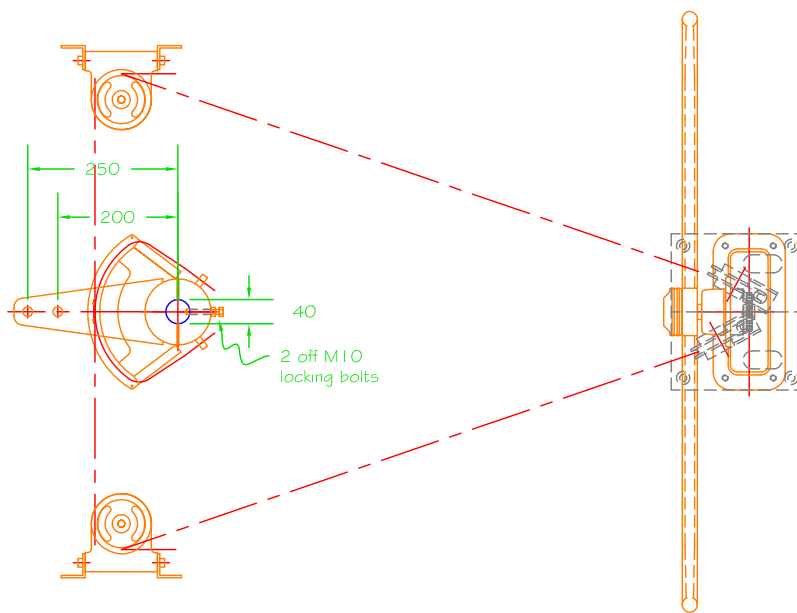
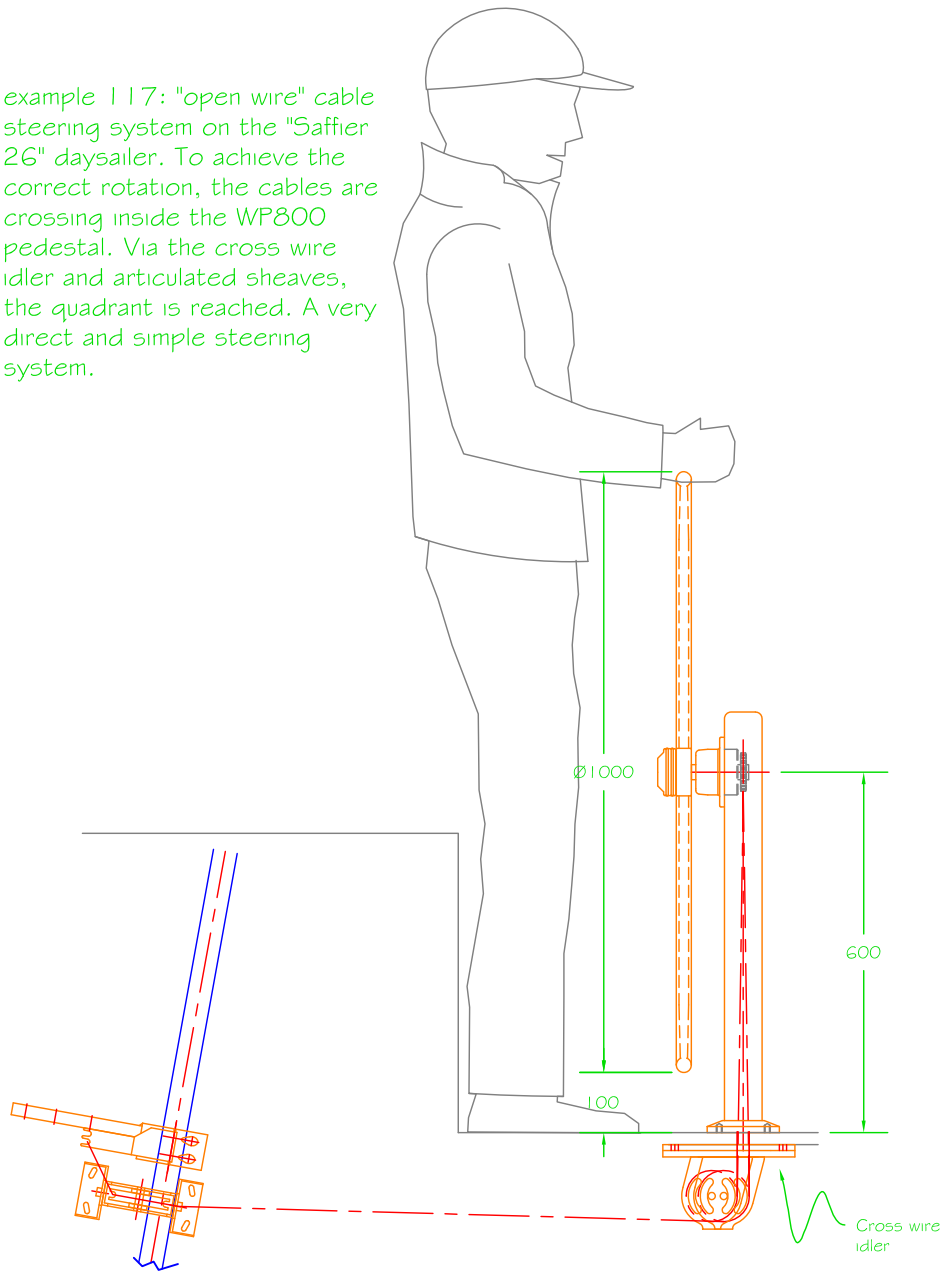



example 117: "open wire" cable steering system on the "Saffier 26" daysailer. To achieve the correct rotation, the cables are crossing inside the WP800 pedestal. Via the cross wire idler and articulated sheaves, the quadrant is reached. A very direct and simple steering system.



Modify date	Project: Example 117, open wire cable steering system aft cockpit		 Nimbusvej 2 2670 Greve, Denmark Phone: +45-4615 5210 Fax: +45-4615 5208 www.jefa.com
Modify date	Scale 1:1	Date 13.01.2009	
Modify date	Material —	Drawing no. —	
Modify date	Filename (dwa) —		
Modify date	Drawn by A.G.		