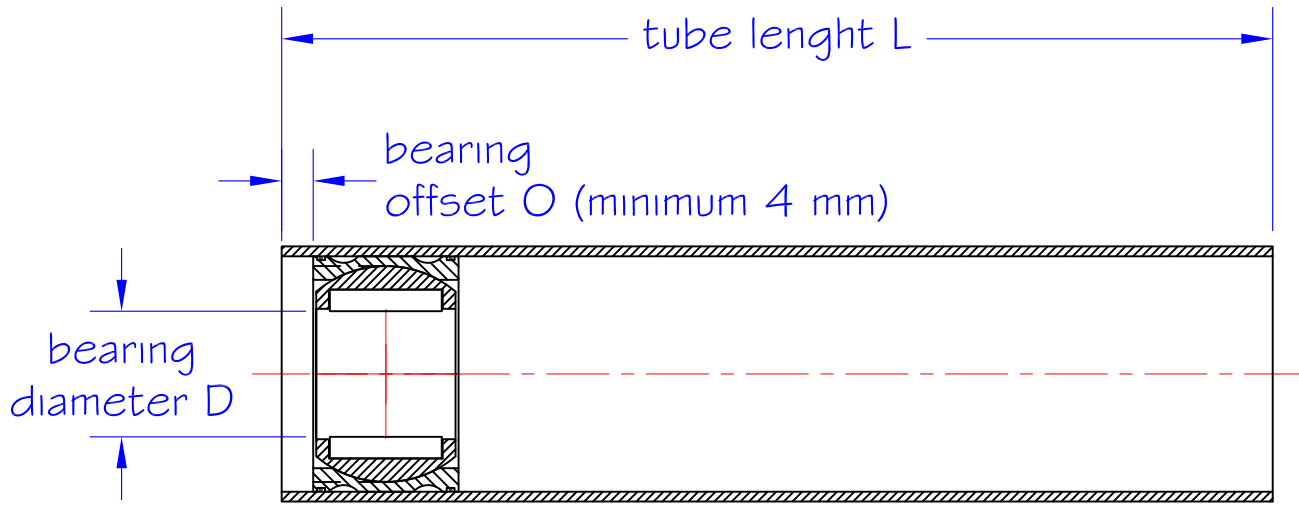


JEFA 6T000 series bearing specification

Version 1.3

specification of bearing diameter, offset and tube height



bearing diameter $D =$ mm

please notice the GRP tube size depending on the bearing diameter

bearing diameter	tube diameter
30 to 45 mm	$\emptyset 90 \times \emptyset 80$ mm
46 to 60 mm	$\emptyset 110 \times \emptyset 100$ mm
61 to 72 mm	$\emptyset 130 \times \emptyset 120$ mm
73 to 95 mm	$\emptyset 150 \times \emptyset 140$ mm
96 to 125 mm	$\emptyset 180 \times \emptyset 170$ mm
126 to 160 mm	$\emptyset 210 \times \emptyset 200$ mm

tube length $L =$ mm

bearing offset $O =$ mm

special requirements / comments