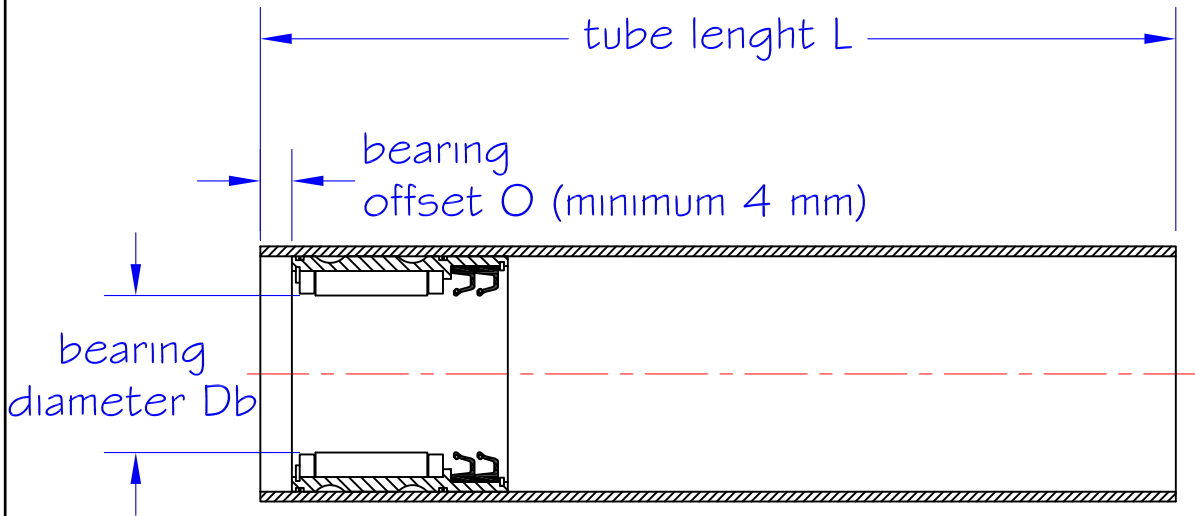


JEFA 61000S series bearing specification

Version 1.0

specification of bearing diameter, offset and tube height



bearing diameter $D_b =$ mm

please notice the GRP tube size depending on the bearing diameter

bottom bearing diameter	tube diameter
30 to 49 mm	Ø90 x Ø80 mm
50 to 69 mm	Ø110 x Ø100 mm
70 to 89 mm	Ø130 x Ø120 mm
90 to 109 mm	Ø150 x Ø140 mm
110 to 139 mm	Ø180 x Ø170 mm
140 to 169 mm	Ø210 x Ø200 mm

tube length $L =$ mm

bearing offset $O =$ mm

special requirements / comments