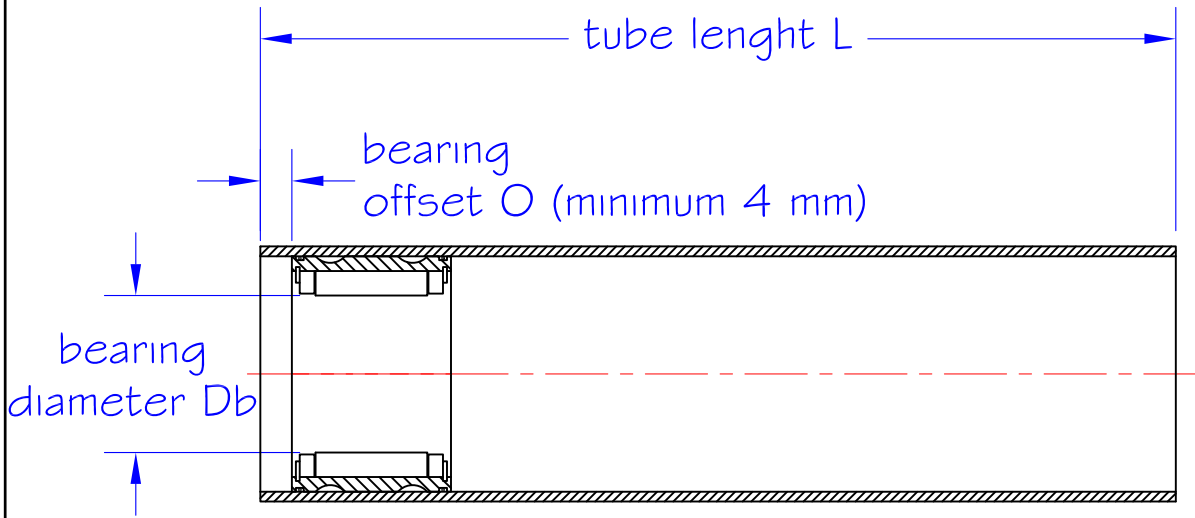


# JEFA 61000 series bearing specification

Version 1.0

specification of bearing diameter, offset and tube height



bearing diameter  $D_b =$                       mm

please notice the GRP tube size depending on the bearing diameter

| bottom bearing diameter | tube diameter  |
|-------------------------|----------------|
| 30 to 49 mm             | Ø90 x Ø80 mm   |
| 50 to 69 mm             | Ø110 x Ø100 mm |
| 70 to 89 mm             | Ø130 x Ø120 mm |
| 90 to 109 mm            | Ø150 x Ø140 mm |
| 110 to 139 mm           | Ø180 x Ø170 mm |
| 140 to 169 mm           | Ø210 x Ø200 mm |

tube length  $L =$                       mm

bearing offset  $O =$                       mm

special requirements / comments

Blank area for special requirements / comments.