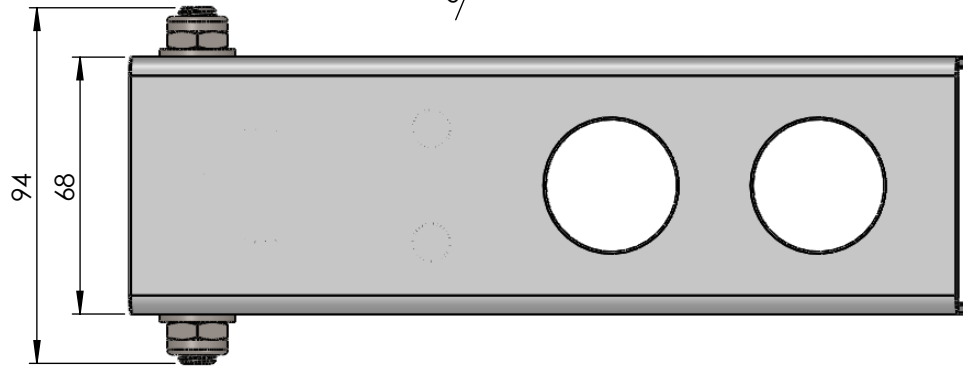
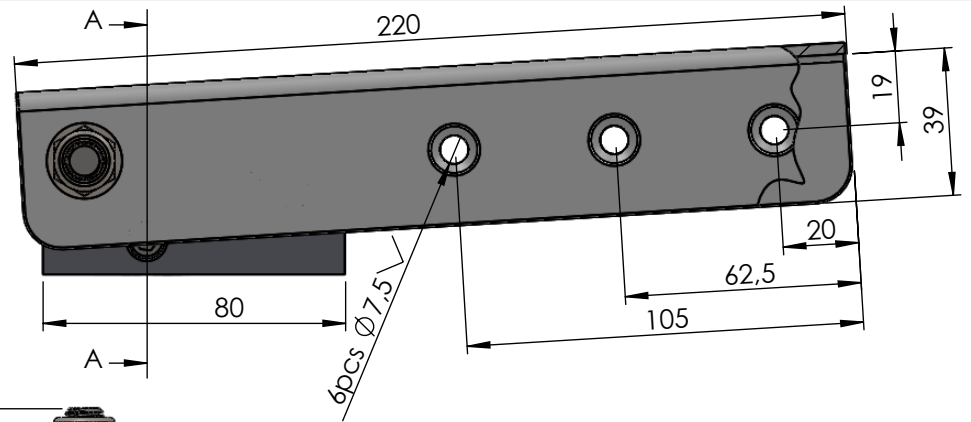


SECTION A-A



ITEM NO.	Jefa number and description	QTY.
1	M56-105 30mm klamp block for tillerhead	1
2	M56-150 U-profil for small tillerheads	1
3	M56-201 12mm bush for tillerhead	2
4	M56-204 Washer for tillerheads $\varnothing 12 \times \varnothing 25 \times 1$ mm	2
5	M56-210 M10x94 pinbolt for tillerhead	1
6	DIN0126-11 Washer A A2 for M10 thread	2
7	DIN10511-10 Torque nut with thin insert M10	2
8	DIN0916-M10x40 Socket set screw cup point M10x40	2
9	DIN0916-M10x10 Socket set screw cup point M10x10	2
10	DIN24035-10 Thin nut M10	2
11	DIN0912-M10x40 Hexagon socket head screw CH A2 M10x40	1

DWG NR / NAME:

47030-A / Tillerhead

BATCH NR:

PROJECT:

Shaft $\varnothing 30$, black anodized head

REKV.NR / ORDRE NR:

DATE:

14-04-2009

NAME:

KJ

SCALE / PAPER:

1:2 / A4

MATERIAL:

WEIGHT: g

LOCATION:

REV:

ORDRE DATO:

LEV.DATO:

MODIFY DATE:

: /

Jefa Rudder
SYSTEMS

JEFA MARINE A/S
NIMBUSVEJ 2
2670 GREVE. DENMARK

Tlf: +45 4615 5210 & Fax: +45 46155208
Email: info@jefa.com www.jefa.com