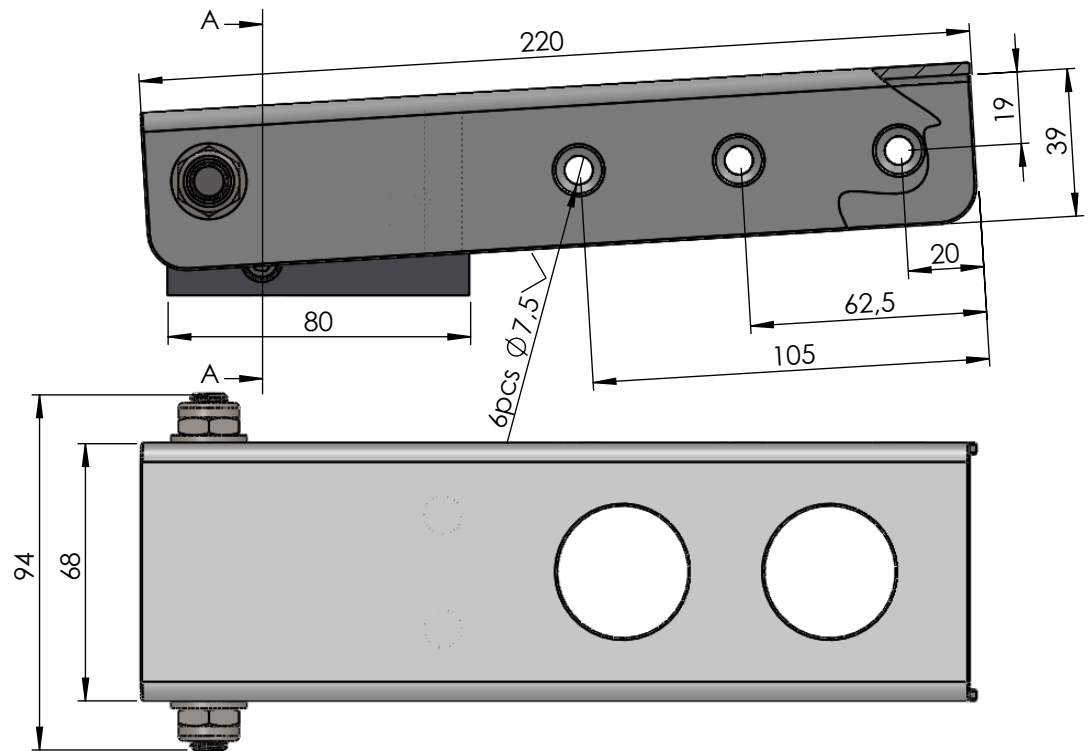


SECTION A-A



ITEM NO.	Jefa number and description	QTY.
1	M56-101 25mm klamp block for tillerhead	1
2	M56-150 U-profil for small tillerheads	1
3	M56-201 12mm bush for tillerhead	2
4	M56-204 Washer for tillerheads $\varnothing 12 \times \varnothing 25 \times 1$ mm	2
5	M56-210 M10x94 pinbolt for tillerhead	1
6	DIN0126-11 Washer A A2 for M10 thread	2
7	DIN10511-10 Torque nut with thin insert M10	2
8	DIN0916-M10x40 Socket set screw cup point M10x40	2
9	DIN0916-M10x10 Socket set screw cup point M10x10	2
10	DIN24035-10 Thin nut M10	2
11	DIN0912-M10x40 Hexagon socket head screw CH A2 M10x40	1

DWG NR / NAME: <b>47025-A / Tillerhead</b>				BATCH NR:	
PROJECT: <b>Shaft <math>\varnothing 25</math>, black anodized head</b>				REKV.NR / ORDRE NR:	
DATE: <b>08-04-2009</b>	NAME: <b>KJ</b>	SCALE / PAPER: <b>1:2 / A4</b>	MATERIAL: <b>g</b>	LOCATION:	ORDRE DATO:
MODIFY DATE: <b>: /</b>				REV:	LEV.DATO:

*Jefa Rudder*  
SYSTEMS

JEFA MARINE A/S  
NIMBUSVEJ 2  
2670 GREVE, DENMARK  
Tlf: +45 4615 5210 & Fax: +45 46155208  
Email: info@jefa.com www.jefa.com