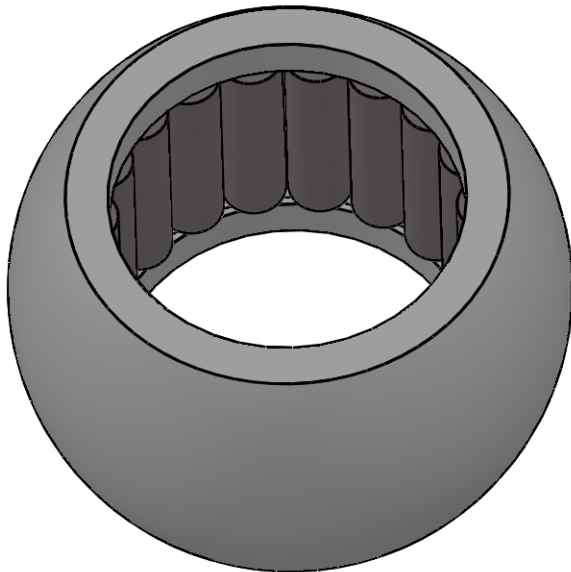
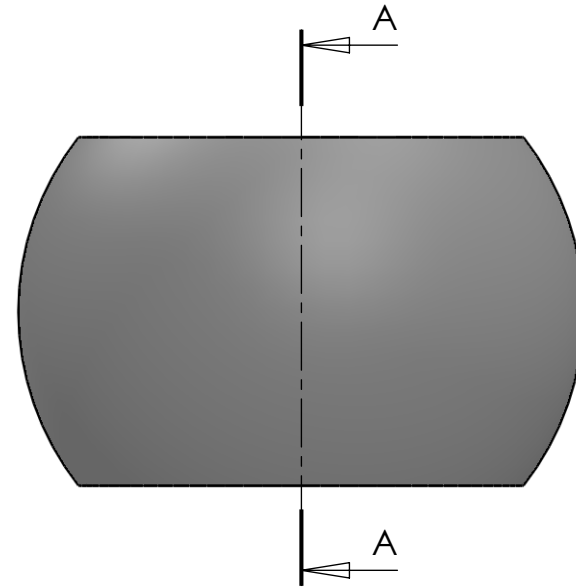



SECTION A-A
SCALE 1 : 1



DWG NR / NAME:				M13-122-45 / Bearing Ball with Rollers		BATCH NR:	
PROJECT:				Shaft 45mm, OD 75mm.		REKV.NR / ORDRE NR:	
DATE:	NAME:	SCALE / PAPER:	MATERIAL:	LOCATION:	ORDRE DATO:	 JEFA MARINE A/S NIMBUSVEJ 2 2670 GREVE. DENMARK Tlf: +45 4615 5210 & Fax: +45 46155208 Email: info@jefa.com www.jefa.com	
14-05-2013	JR	1:1 / A4	WEIGHT: g		ORDRE DATO:		
MODIFY DATE:				REV:	LEV.DATO:		
				: /			