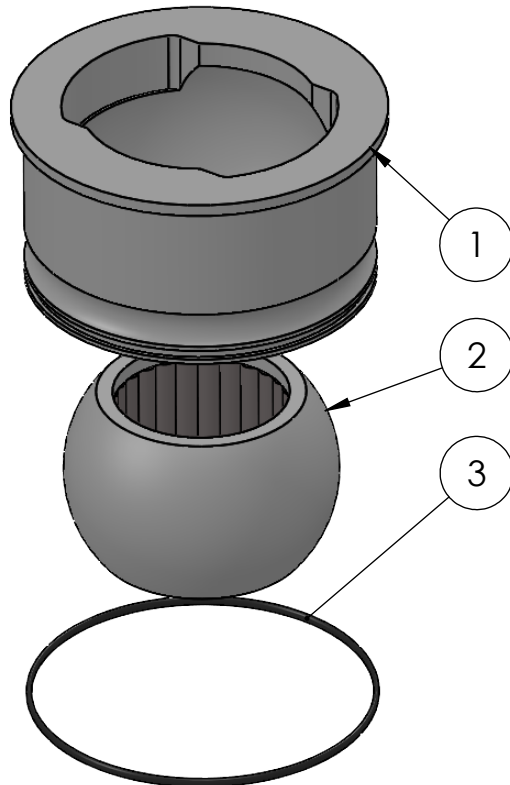
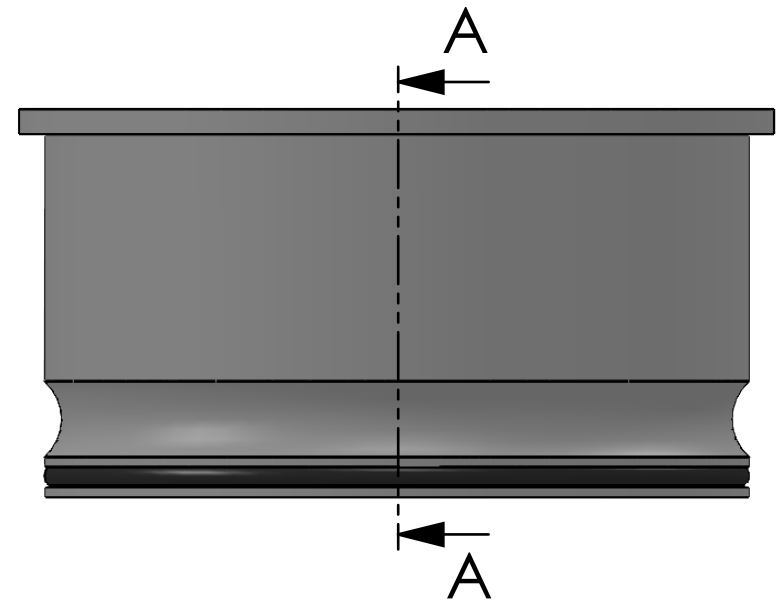


SECTION A-A
SCALE 1 : 1.5



ITEM NO.	PART NUMBER	PART NAME	QTY.
1	M48-154	House $\phi 140$ mm for $\phi 110$ mm Ball	1
2	M13-209-69	Bearing ball with rollers for $\phi 69$ mm	1
3	O-ring	$\phi 140,5 \times 2.5$	1

DWG NR / NAME: 6BF140069 / S-A Top Roller bearing				BATCH NR:		<i>Jefa Rudder</i> SYSTEMS
PROJECT: Shaft $\phi 69$ mm				REKV.NR / ORDRE NR:		
DATE: 19.09.2016	NAME: TCH	SCALE / PAPER: 1:3 / A4	MATERIAL: PETP	LOCATION:	ORDRE DATO:	JEFA MARINE A/S NIMBUSVEJ 2 2670 GREVE, DENMARK Tlf: +45 4615 5210 & Fax: +45 46155208 Email: info@jefa.com www.jefa.com
MODIFY DATE: : /			WEIGHT: g	REV:	LEV.DATO:	