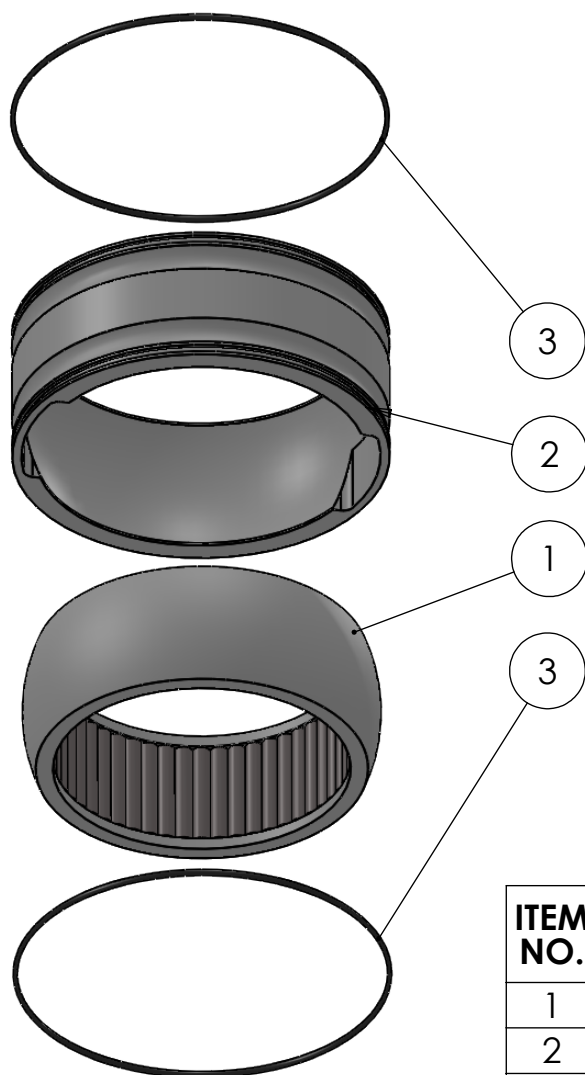
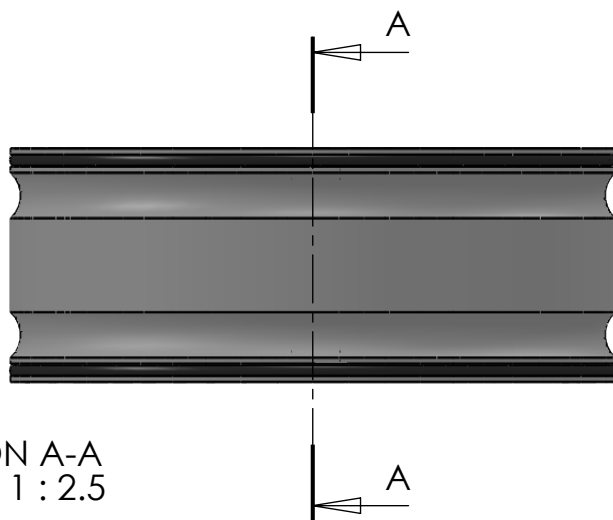


SECTION A-A
SCALE 1 : 2.5



ITEM NO.	PART NUMBER	PART NAME	Default/ QTY.
1	M13-565-157	Ball with rollers	1
2	M48-180	House $\varnothing 200$ mm for $\varnothing 190$ mm ball	1
3	O-ring	$\varnothing 190 \times 2.5$	2

DWG NR / NAME:

6BB200157 / S-A bottom Roller bearing

BATCH NR:

PROJECT:

Shaft $\varnothing 157$ mm

REKV.NR / ORDRE NR:

DATE:

31.01.2012

NAME:

JR

SCALE / PAPER:

1:4 / A4

MATERIAL:

WEIGHT:

g

LOCATION:

REV:

ORDRE DATO:

LEV.DATO:

MODIFY DATE:

: /

Jefa Rudder
SYSTEMS

JEFA MARINE A/S
NIMBUSVEJ 2
2670 GREVE, DENMARK

Tlf: +45 4615 5210 & Fax: +45 4615 5208
Email: info@jefa.com www.jefa.com