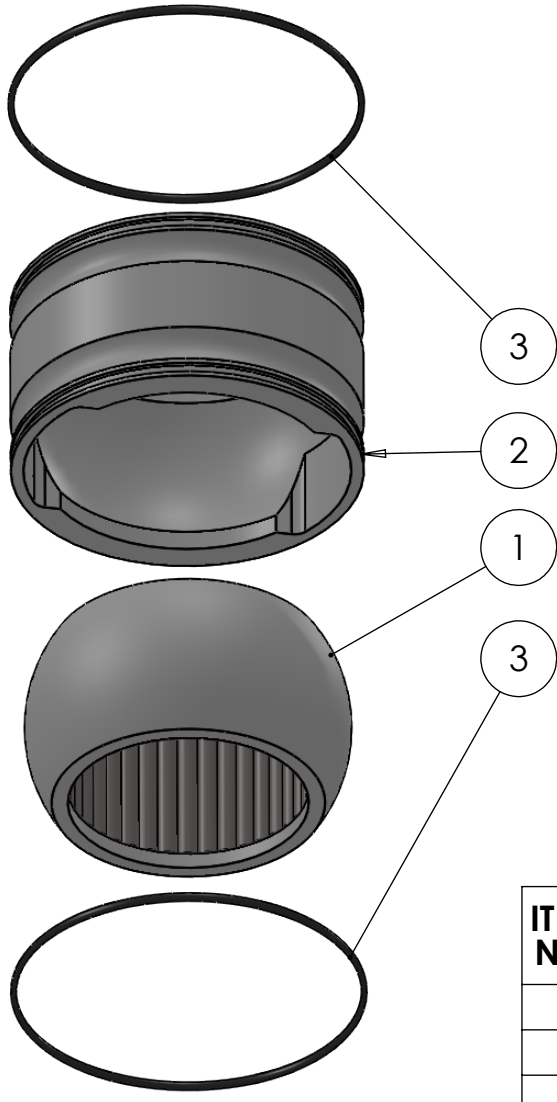


SECTION A-A  
SCALE 1 : 2



ITEM NO.	PART NUMBER	PART NAME	Default/ QTY.
1	M13-250-95	Ball with rollers	1
2	M48-150	House ø140mm for ø130mm ball	1
3	O-ring	ø130 x 2.5	2

DWG NR / NAME:  
**6BB140095 / S-A bottom Roller bearing**

PROJECT:  
Shaft ø95mm

DATE:  
31.01.2012  
MODIFY DATE:  
: /

NAME:  
JR

SCALE / PAPER:  
1:3 / A4

MATERIAL:  
WEIGHT: g

LOCATION:  
REV:

BATCH NR:

REKV.NR / ORDRE NR:

ORDRE DATO:

LEV.DATO:



JEFA MARINE A/S  
NIMBUSVEJ 2  
2670 GREVE, DENMARK  
Tlf: +45 4615 5210 & Fax: +45 46155208  
Email: info@jefa.com www.jefa.com