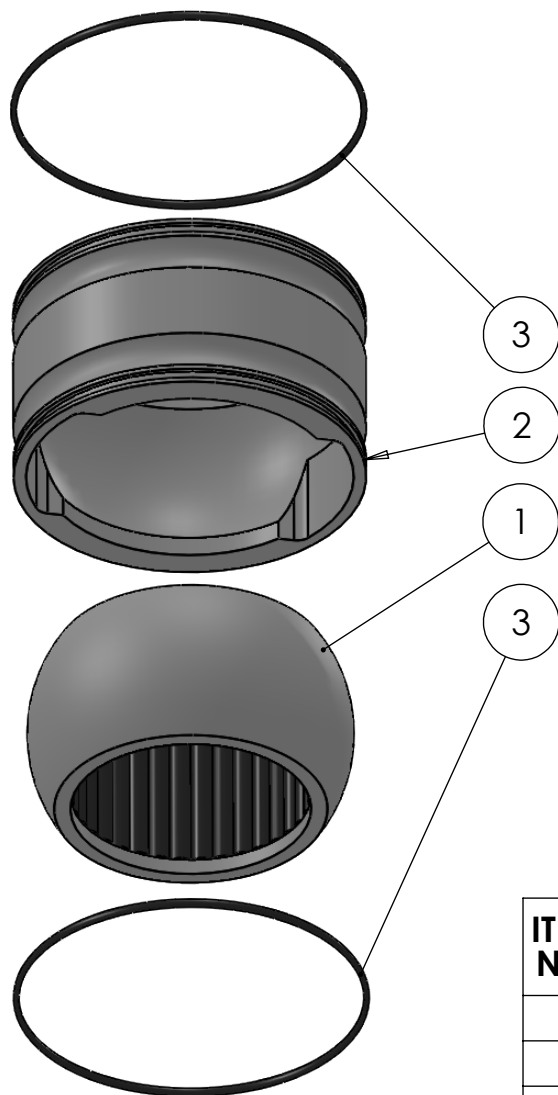


SECTION A-A
SCALE 1 : 2



ITEM NO.	PART NUMBER	PART NAME	Default/ QTY.
1	M13-250-94	Ball with rollers	1
2	M48-150	House $\varnothing 140\text{mm}$ for $\varnothing 130\text{mm}$ ball	1
3	O-ring	$\varnothing 130 \times 2.5$	2

DWG NR / NAME:

6BB140094 / S-A bottom Roller bearing

BATCH NR:

PROJECT:

Shaft $\varnothing 94\text{mm}$

REKV.NR / ORDRE NR:

DATE:

31.01.2012

NAME:

JR

SCALE / PAPER:

1:3 / A4

MATERIAL:

WEIGHT:

g

LOCATION:

REV:

ORDRE DATO:

LEV.DATO:

MODIFY DATE:

: /

Jefa Rudder
SYSTEMS

JEFA MARINE A/S
NIMBUSVEJ 2
2670 GREVE, DENMARK

Tlf: +45 4615 5210 & Fax: +45 46155208
Email: info@jefa.com www.jefa.com