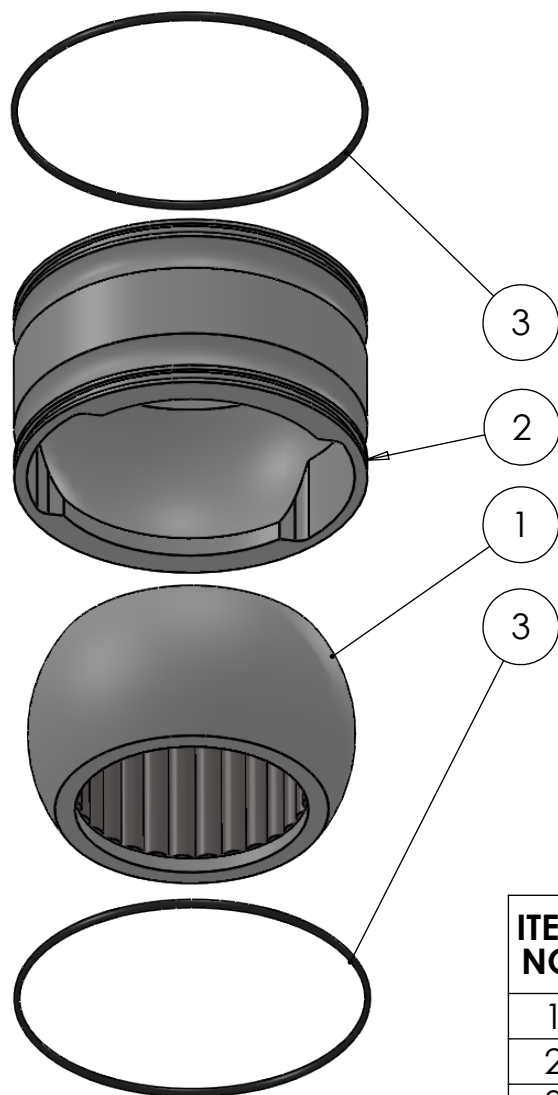
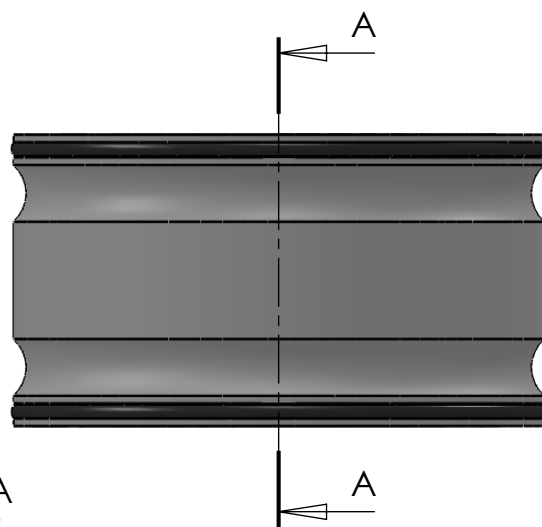


SECTION A-A
SCALE 1 : 2



| ITEM NO. | PART NUMBER | PART NAME | Default/ QTY. |
|----------|-------------|--|---------------|
| 1 | M13-248-89 | Ball with rollers | 1 |
| 2 | M48-150 | House $\varnothing 140\text{mm}$ for $\varnothing 130\text{mm}$ ball | 1 |
| 3 | O-ring | $\varnothing 130 \times 2.5$ | 2 |

DWG NR / NAME:

6BB140089 / S-A bottom Roller bearing

BATCH NR:

PROJECT:

Shaft $\varnothing 89\text{mm}$

REKV.NR / ORDRE NR:

DATE:

31.01.2012

NAME:

JR

SCALE / PAPER:

1:3 / A4

MATERIAL:

WEIGHT:

g

LOCATION:

REV:

ORDRE DATO:

LEV.DATO:

MODIFY DATE:

: /

Jefa Rudder
SYSTEMS

JEFA MARINE A/S
NIMBUSVEJ 2
2670 GREVE, DENMARK

Tlf: +45 4615 5210 & Fax: +45 46155208
Email: info@jefa.com www.jefa.com