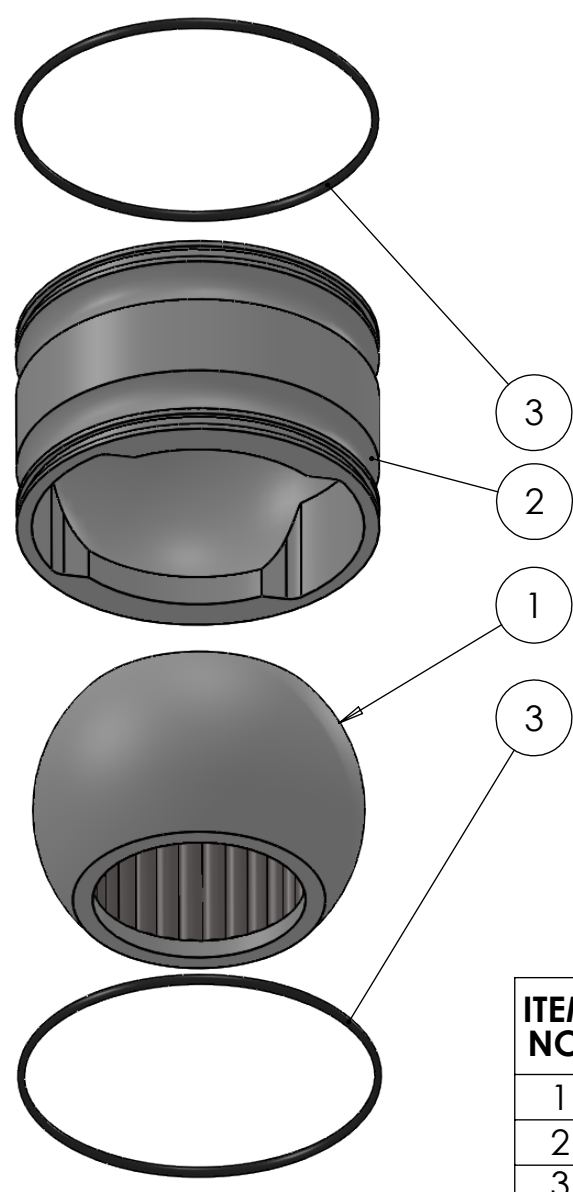


SECTION A-A
SCALE 1 : 1.5



ITEM NO.	PART NUMBER	PART NAME	Default/ QTY.
1	M13-210-71	Ball with rollers	1
2	M48-140	House ø120mm for ø110mm ball	1
3	O-ring	ø110 x 2,5	2

DWG NR / NAME: **6BB120071 / S-A bottom Roller bearing**

PROJECT: Shaft ø71mm

DATE: 31.01.2012
MODIFY DATE: /

NAME: JR

SCALE / PAPER: 1:2.5 / A4

MATERIAL: WEIGHT: g

LOCATION: REV:

BATCH NR:

REKV.NR / ORDRE NR:

ORDRE DATO:

LEV.DATO:

Jefa Rudder
SYSTEMS

JEFA MARINE A/S
NIMBUSVEJ 2
2670 GREVE, DENMARK

Tlf: +45 4615 5210 & Fax: +45 46155208
Email: info@jefa.com www.jefa.com