

A

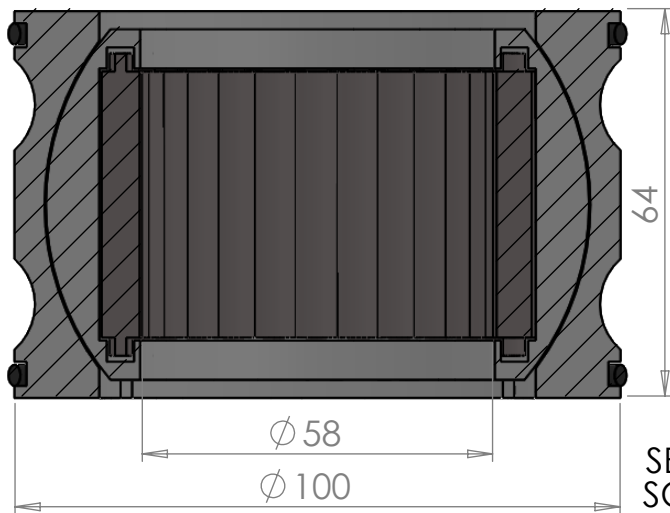
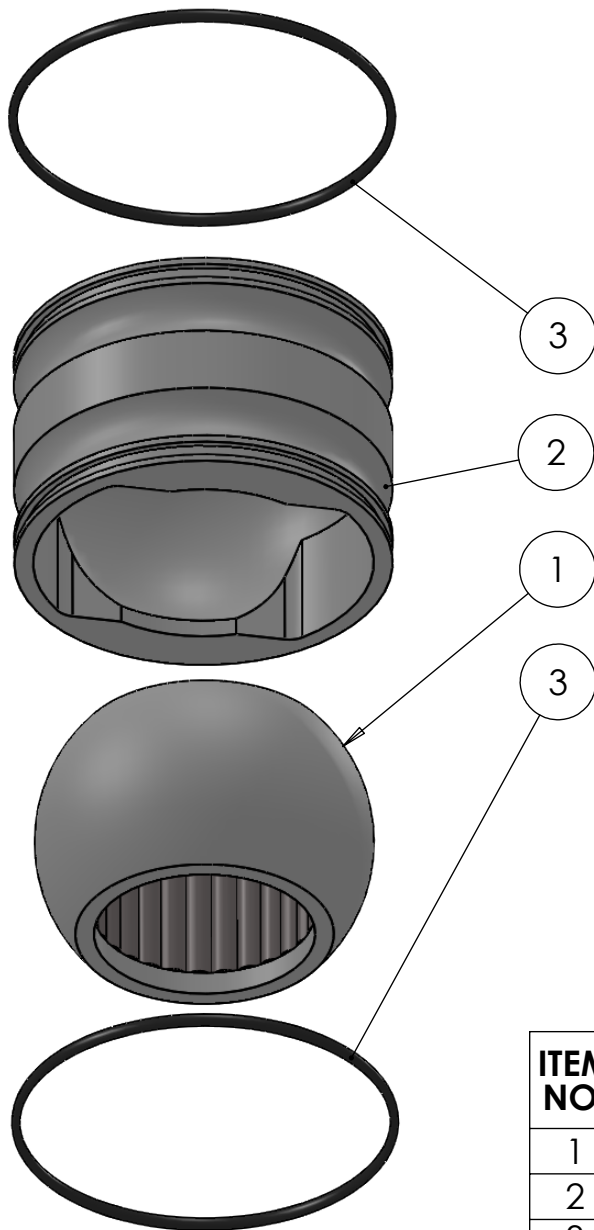
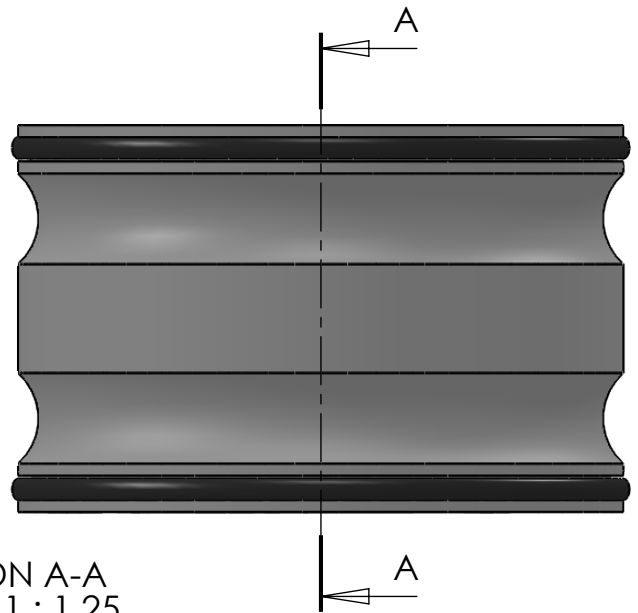
B

C

D

E

F

SECTION A-A
SCALE 1 : 1.25

ITEM NO.	PART NUMBER	PART NAME	Default/ QTY.
1	M13-163-58	Ball with rollers	1
2	M48-100	House $\varnothing 100\text{mm}$ for $\varnothing 90\text{mm}$ ball	1
3	O-ring	$\varnothing 90 \times 2,5$	2

DWG NR / NAME:

6BB100058 / S-A bottom Roller bearing

BATCH NR:

PROJECT:

Shaft $\varnothing 58\text{mm}$

REKV.NR / ORDRE NR:

DATE:

31.01.2012

NAME:

JR

SCALE / PAPER:

1:2 / A4

MATERIAL:

WEIGHT:

g

LOCATION:

REV:

ORDRE DATO:

LEV.DATO:

JEFA MARINE A/S
NIMBUSVEJ 2
2670 GREVE, DENMARK

Tlf: +45 4615 5210 & Fax: +45 4615208
Email: info@jefa.com www.jefa.com

: /