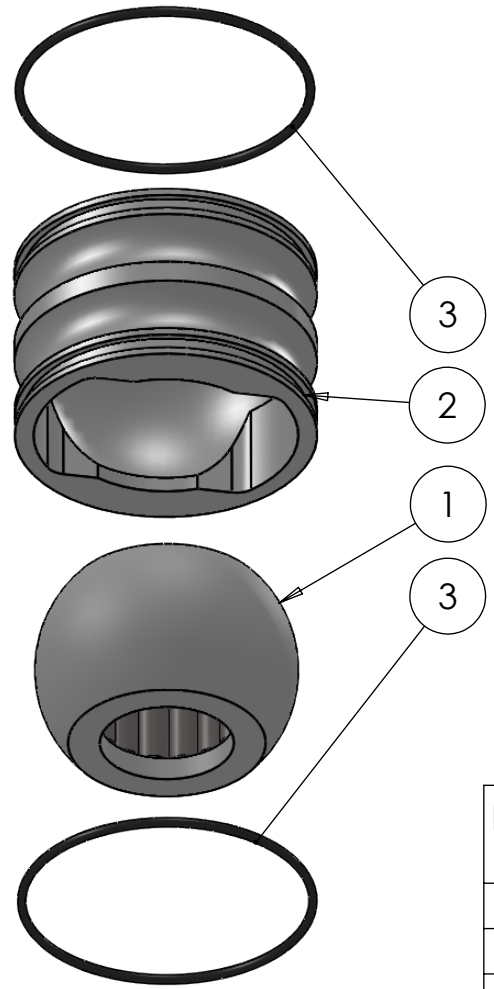


SECTION A-A  
SCALE 1 : 1



| ITEM NO. | PART NUMBER | PART NAME                  | Default/ QTY. |
|----------|-------------|----------------------------|---------------|
| 1        | M13-107-35  | Ball with rollers          | 1             |
| 2        | M48-090     | House ø80mm for ø70mm ball | 1             |
| 3        | O-ring      | ø70 x 2,5                  | 2             |

DWG NR / NAME: **6BB080035 / S-A bottom Roller bearing**

PROJECT: Shaft ø35mm

DATE: 31.01.2012  
MODIFY DATE: /

NAME: JR

SCALE / PAPER: 1:2 / A4

MATERIAL: WEIGHT: g

LOCATION: REV:

BATCH NR:

REKV.NR / ORDRE NR:

ORDRE DATO:

LEV.DATO:

*Jefa Rudder*  
SYSTEMS

JEFA MARINE A/S  
NIMBUSVEJ 2  
2670 GREVE, DENMARK

Tlf: +45 4615 5210 & Fax: +45 46155208  
Email: info@jefa.com www.jefa.com