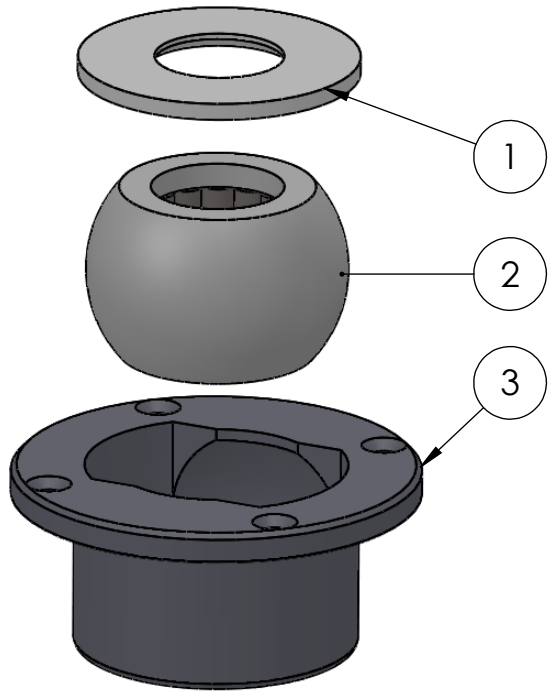



SECTION A-A
SCALE 1 : 1



ITEM NO.	PART NUMBER	PART NAME	QTY.
1	M07-100	Washer, delrin $\varnothing 34,5 \times \varnothing 75 \times 4,5\text{mm}$	1
2	M13-107-34	Ball with rollers for $\varnothing 34\text{mm}$	1
3	M51-085	House for 5T030-5T045	1

DWG NR / NAME: 5T034 / S-A top roller bearing				BATCH NR:	
PROJECT: Shaft $\varnothing 34\text{mm}$, max working load 1000-1400kg				REKV.NR / ORDRE NR:	
DATE: 01.08.2016	NAME: JR	SCALE / PAPER: 1:2 / A4	MATERIAL:	LOCATION:	ORDRE DATO:
MODIFY DATE: / /			WEIGHT: g	REV:	LEV.DATO:



Jefa Rudder
 JEFA MARINE A/S
 NIMBUSVEJ 2
 2670 GREVE. DENMARK
 Tlf: +45 4615 5210 & Fax: +45 46155208
 Email: info@jefa.com www.jefa.com