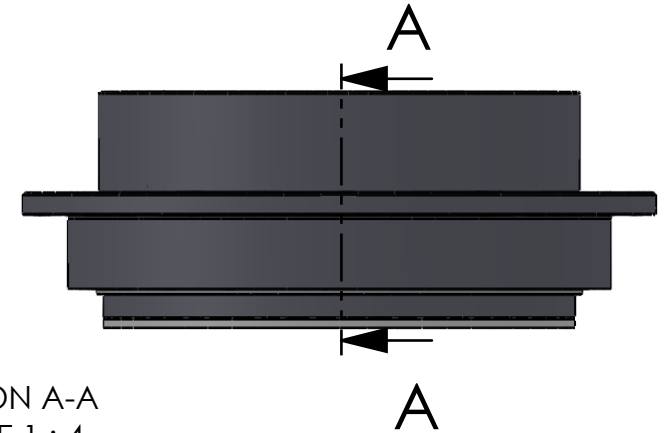


SECTION A-A
SCALE 1 : 4



ITEM NO.	PART NUMBER	PART NAME	QTY.
1	M33-140	Outer house 4SF200-4SF219	1
2	M11-117	Ball 4SF200-4SF219	1
3	OR250-25	ø250 x 2.5	2
4	M03-765	Delrin Lockring ø228,5 x ø211 x 2,75mm	2
5	M05-387	L-ring ø205 x ø225 x 7,5mm	2
6	M01-332	Roller ø10.0 x 57mm	67
7	M35-133	Inner house 4SF200-4SF209	1
8	OR240-25	ø240 x 2.5	1
9	M09-160	Alu lockring ø246 x ø258	1
10	M07-247-D	Washer Ø205mm x Ø250mm x 4,5mm	1

DWG NR / NAME:

4SF205 / S-A top roller bearing

BATCH NR:

PROJECT:

Shaft Ø205mm, max working load 11400kg

REKV.NR / ORDRE NR:

DATE:

20-01-2011

NAME:

JR

SCALE / PAPER:

1:20 / A4

MATERIAL:

WEIGHT: g

LOCATION:

ORDRE DATO:

MODIFY DATE:

: / UPDATED

REV:

LEV.DATO:

Jefa Rudder
SYSTEMS

JEFA MARINE A/S
NIMBUSVEJ 2
2670 GREVE. DENMARK
Tlf: +45 4615 5210 & Fax: +45 46155208
Email: info@jefa.com www.jefa.com