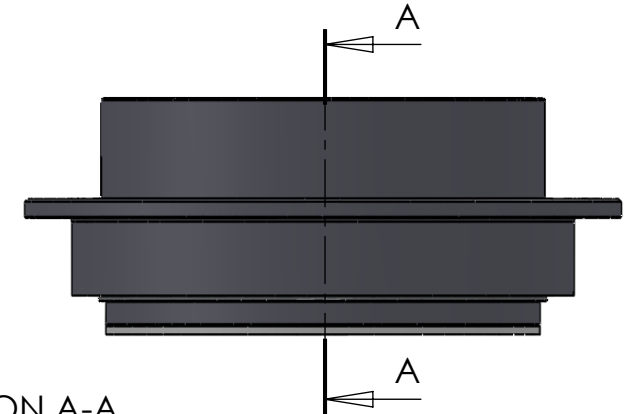


SECTION A-A  
SCALE 1 : 4



ITEM NO.	PART NUMBER	PART NAME	QTY.
1	M33-135	Outer house 4SF180-4SF199	1
2	M11-115	Ball 4SF180-4SF199	1
3	OR230-25	ø230 x 2.5	2
4	M03-755	Delrin Lockring ø218,5 x ø201 x 2,75mm	2
5	M05-383	L-ring ø199 ø201.5 ø215	2
6	M01-316	Roller ø9.0 x 57mm	72
7	M35-131	Inner house 4SF190-4SF199	1
8	OR210-25	ø210 x 2.5	1
9	M09-150	Alu lockring ø225.5 x ø237.5	1
10	M07-247-C	Washer, delrin ø199,5 x ø230 x 4,5mm	1

DWG NR / NAME:

**4SF197 / S-A top roller bearing**

BATCH NR:

PROJECT:

Shaft Ø197mm, max working load 10800kg

REKV.NR / ORDRE NR:

DATE:

20-01-2011

NAME:

JR

SCALE / PAPER:

1:6 / A4

MATERIAL:

WEIGHT: g

LOCATION:

ORDRE DATO:

MODIFY DATE:

: / UPDATED

REV:

LEV.DATO:

*Jefa Rudder*  
SYSTEMS

JEFA MARINE A/S  
NIMBUSVEJ 2  
2670 GREVE. DENMARK  
Tlf: +45 4615 5210 & Fax: +45 46155208  
Email: info@jefa.com www.jefa.com