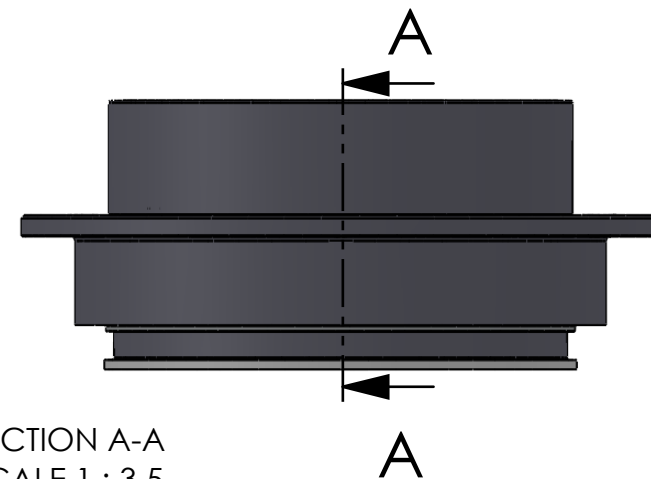


SECTION A-A
SCALE 1 : 3.5



ITEM NO.	PART NUMBER	PART NAME	QTY.
1	M33-130	Outer house 4SF160-4SF179	1
2	M11-113	Ball 4SF160-4SF179	1
3	OR210-25	$\phi 210 \times 2.5$	2
4	M03-735	Delrin Lockring $\phi 198,5 \times \phi 11 \times 2,75\text{mm}$	2
5	M05-379	L-ring $\phi 179 \phi 182.5 \phi 195$	2
6	M01-301	Roller $\phi 8.0 \times 57\text{mm}$	73
7	M35-127	Inner house 4SF170-4SF179	1
8	OR190-25	$\phi 190 \times 2.5$	1
9	M09-140	Alu lockring $\phi 205 \times \phi 217$	1
10	M07-243	Washer $\phi 179,5 \times \phi 219 \times 4,5$	1

DWG NR / NAME:

4SF179 / S-A top roller bearing

BATCH NR:

PROJECT:

Shaft $\phi 179\text{mm}$, max working load 9700kg

REKV.NR / ORDRE NR:

DATE:

20-01-2011

NAME:

JR

SCALE / PAPER:

1:10 / A4

MATERIAL:

WEIGHT: g

LOCATION:

REV:

ORDRE DATO:

LEV.DATO:

MODIFY DATE:

: / UPDATED

Jefa Rudder
SYSTEMS

JEFA MARINE A/S
NIMBUSVEJ 2
2670 GREVE. DENMARK

Tlf: +45 4615 5210 & Fax: +45 46155208
Email: info@jefa.com www.jefa.com