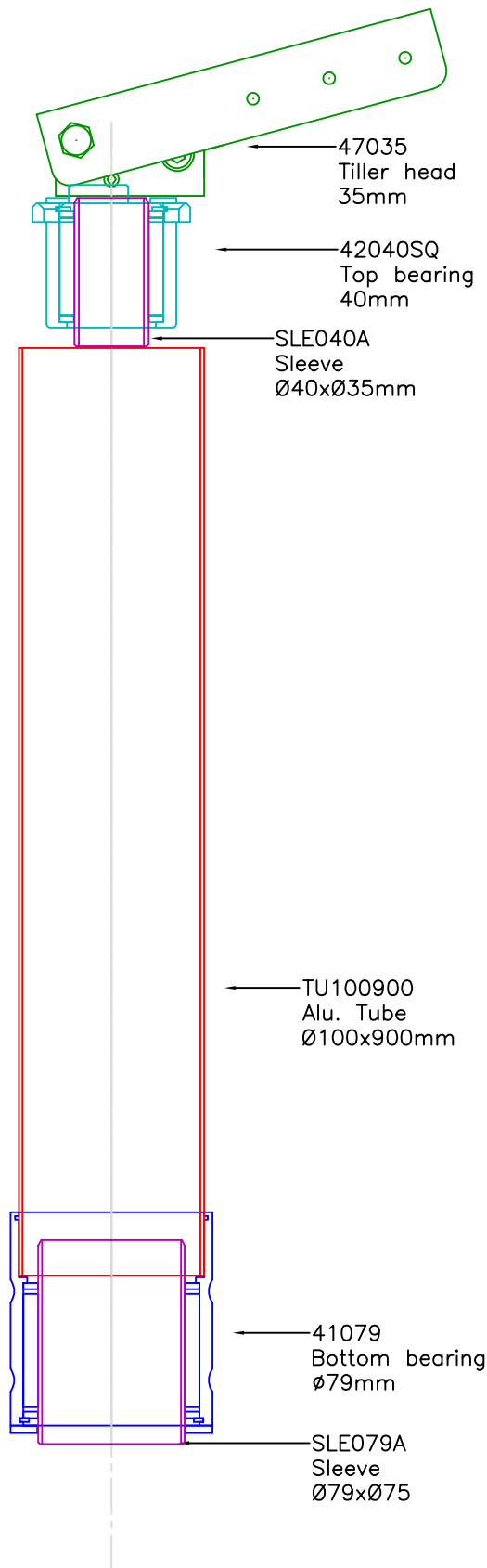


item no	Spare part list:	Quantity
47035U	U-profil for 47035, Stainless 316	1
47035K	Alu. block Ø35, black anodised	1
M56-204	Washer Ø12xØ24x1mm, Plast	2
M56-210	Shaft Ø10x94mm, stainless	1
24330	Not in production anymore	1
BU035	Bush Ø35 x Ø40 x 50mm, Nylon	1
BU075	Bush Ø75 x Ø82 x 95mm, PETP	1

Modify date	Project: X-102	
Modify date	Rudder bearing spareparts	
Modify date	Scale 1:4	Date 2009-03-20
Modify date	Material —	Drawing no. —
Modify date	Filename (dwg) —	
Modify date	Drawn by J.F.	—

*Jefa Rudder*  
S Y S T E M S

JEFA MARINE A/S  
NIMBUSVEJ 2  
2670 GREVE, DENMARK  
Tlf. +45-4615 5210 & Fax +45-4615 5208  
E-mail info@jefa.com & WWW.jefa.com



These parts shall be ordered, for an update:

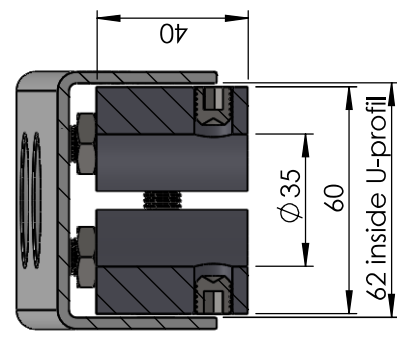
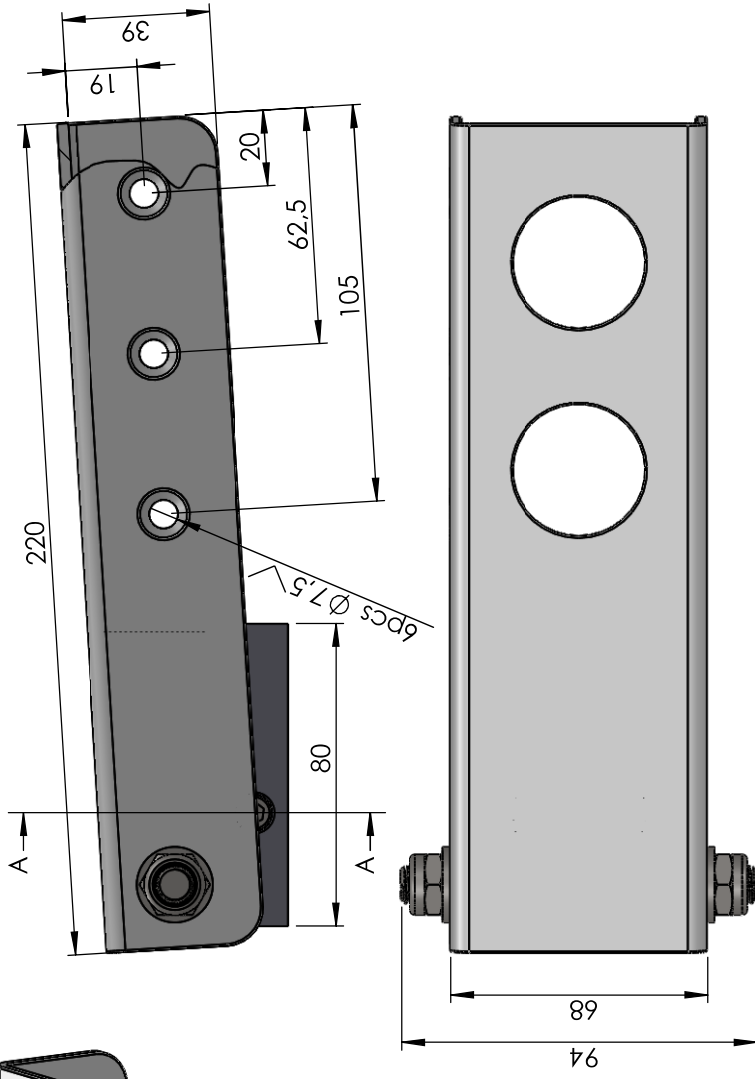
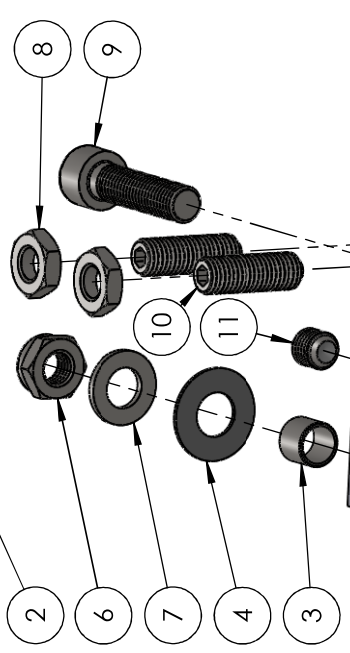
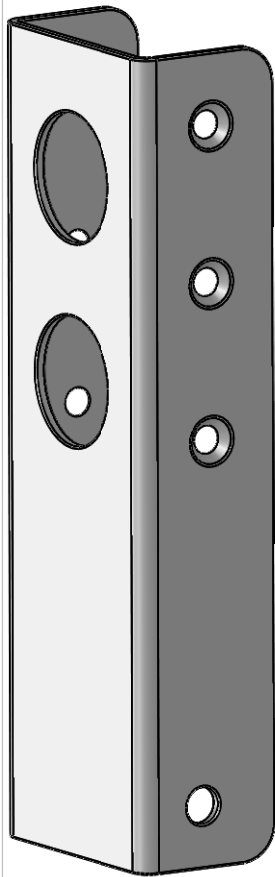
item no	Rudder bearings, part list	Quantity
47035	Tiller head 35mm	1
42040SQ	Top bearing with stops, 40mm	1
SLE040A	Sleeve in alu. Ø40xØ35x80mm	1
TU100900	Alu. tube Ø100 x 900mm	1
41079	Bottom bearing 79mm	1
SLE079A	Sleeve in alu. Ø79xØ75x130mm	1

item no	Spare part list:	Quantity
47035U	U-profil for 47035, Stainless 316	1
47035K	Alu. block Ø35, black anodised	1
M56-204	Washer Ø12xØ24x1mm, Plast	2
M56-210	Shaft Ø10x94mm, stainless	1
M07-107	Washer Ø40,5xØ79x4,5mm, Delrin	1
M03-191	Lock-ring Ø59,5xØ46x1,75mm, Delrin	1
M05-107	L-ring Ø40,5xØ55,5mm, Delrin	2
M01-201	Roller Ø8x44mm, Delrin	18
	Rollers M01-201 shall be used when the sleeve is the original dimension 39,92-40mm. Rollers M01-202 shall be used if the sleeve is worn down to 39,84-39,94mm	
ALTERNATIVE M01-202	Roller Ø8,05x44mm, Delrin	18
M07-158	Washer Ø79,5xØ109x4,5mm, Delrin	1
M03-213	Lock-ring Ø98,5xØ81x1,75mm, Delrin	1
M05-188	L-ring Ø79,5xØ94,5mm, Delrin	2
M01-301	Roller Ø8x57mm, Delrin	34
	Rollers M01-301 shall be used when the sleeve is the original dimension 78,92-79mm. Rollers M01-302 shall be used if the sleeve is worn down to 78,84-78,94mm	
ALTERNATIVE M01-302	Roller Ø8,05x57mm, Delrin	34

Modify date	Project: X102 Update from plain bearings	
Modify date	Rudder bearing spareparts	
Modify date	Scale 1:4	Date 2009-03-20
Modify date	Material —	Drawing no. —
Modify date	Filename (dwg) —	
Modify date	Drawn by J.F.	—

*Jefa Rudder*  
S Y S T E M S

JEFA MARINE A/S  
NIMBUSVEJ 2  
2670 GREVE, DENMARK  
Tlf. +45-4615 5210 & Fax +45-4615 5208  
E-mail info@jefa.com & WWW.jefa.com



ITEM NO.	PART NUMBER	PART NAME	QTY.
1	M56-110	ø35mm klamp block for fillerhead	1
2	M56-150	U-profil for small fillerheads	1
3	M56-201	ø12mm bush for fillerheads	2
4	M56-204	Washer for fillerheads ø12 x ø25 x 1mm	2
5	M56-210	Pinbolt for fillerheads M10x94	1
6	DIN10511-10	Torque nut with thin insert M10	2
7	DIN126	Plain washer ø11 x ø20	2
8	DIN24035-10	Thin nut M10	2
9	DIN912-10	Socket head cap screw M10x40	1
10	DIN916-10	Socket set screw with cup point M10x30	2
11	DIN916-10	Socket set screw with cup point M10x10	2

DWG NR / NAME:

### 47035 / Tillerhead

PROJECT:

Shaft ø35, black anodized head

DATE:

14-04-2009

NAME:

KJ

SCALE / PAPER:

1:2 / A4

MATERIAL:

WEIGHT:

LOCATION:

9

ORDRE DATE:

LEV.DATO:

REKV.NR / ORDRE NR:

BATCH NR:



JEFA MARINE A/S  
 NIMBUSVEJ 2  
 2670 GREVE, DENMARK  
 Tlf: +45 4615 5210 & Fax: +45 461 55208  
 Email: info@jefa.com www.jefa.com