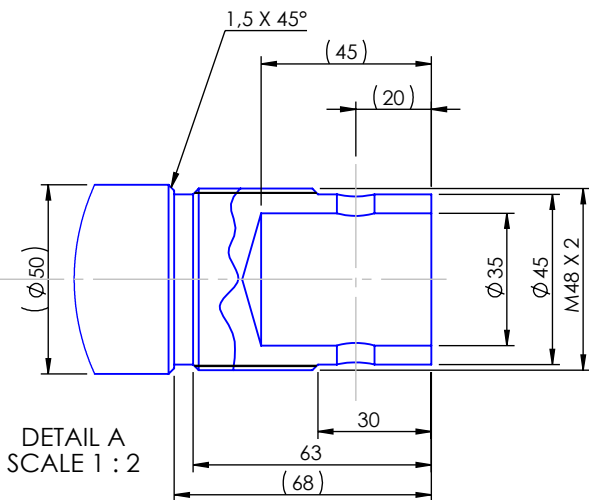
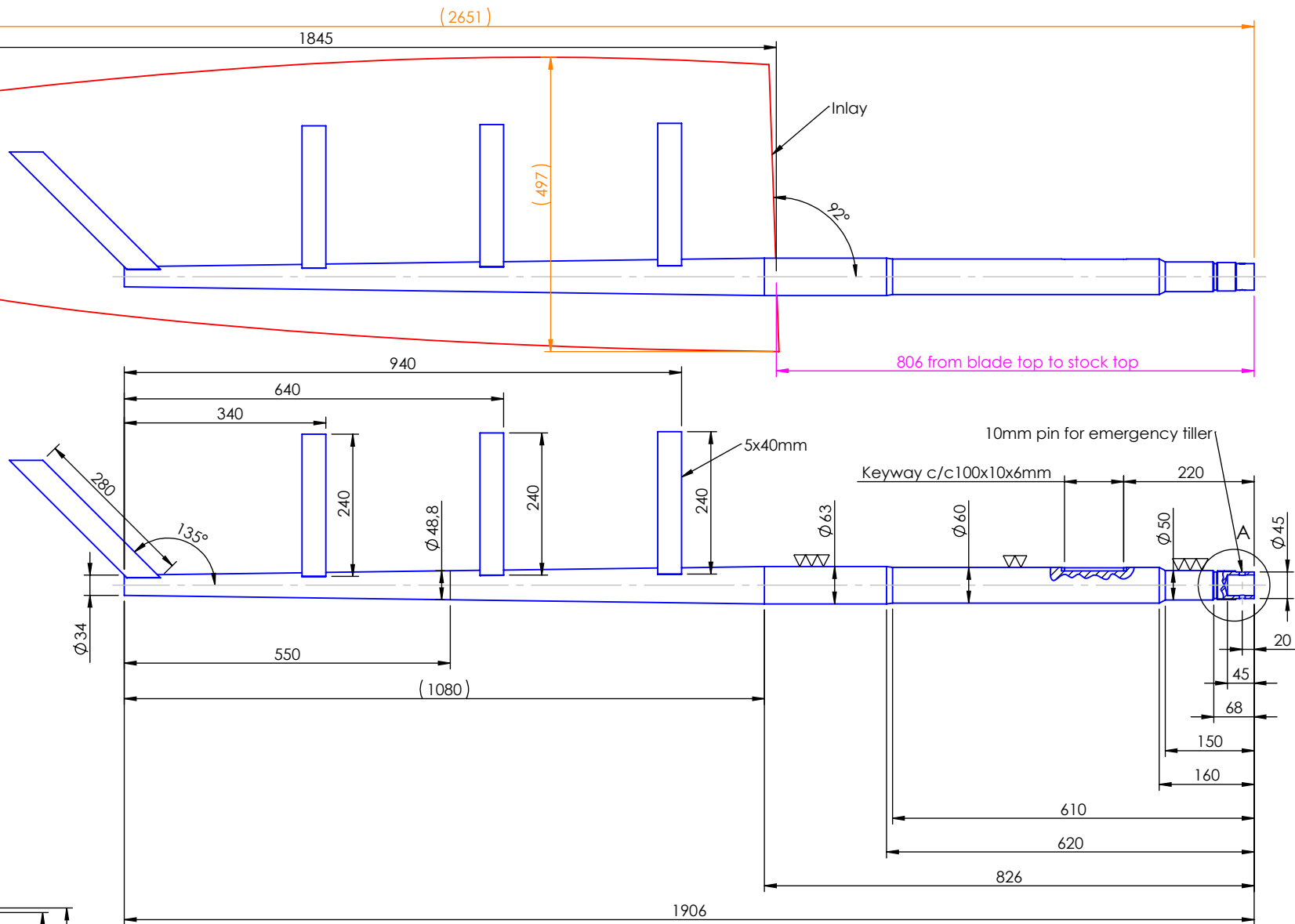
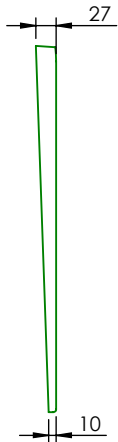


RUD37R



DETAIL A
SCALE 1 : 2

RUD37R

Project Salona 380	Product Name: Replacement rudder	Filename Salona 380 replacement rudder	
	Drawing no. -	Sheet: 1 of 1	Proj. method:
	Material: Aisi 329	Scale: 1:10	Format: A4
Creation Date: 06-01-2026	Dimensions are given in mm. Dimensions without tolerances according to DS/ISO 2768-m.		
Author: Thor	This drawing belongs to Jefa Marine A/S and may not be used or shown without permission.		
JEFA MARINE A/S NIMBUSVEJ 2 2670 GREVE. DENMARK Tlf: +45 4615 5210 Email: info@jefa.dk www.jefa.dk			